

Veroboard 12V 300W (5*60W) 0-10V/ Triac Dimmable LED Driver (Multi Dimming+Junction Box) VBD -012-300VTD52J2V2

VEROBOARD®

SKU: 666561419271

Model: VBD -012-300VTD52J2V2

Input Voltage: 100-277 V AC

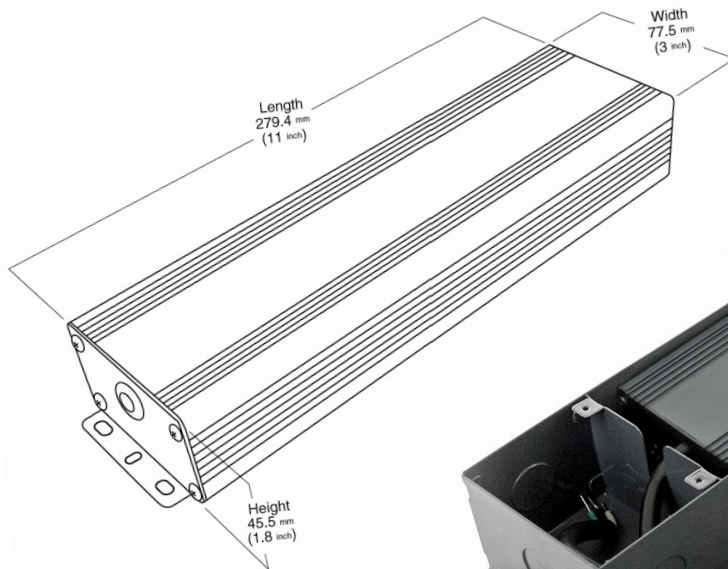
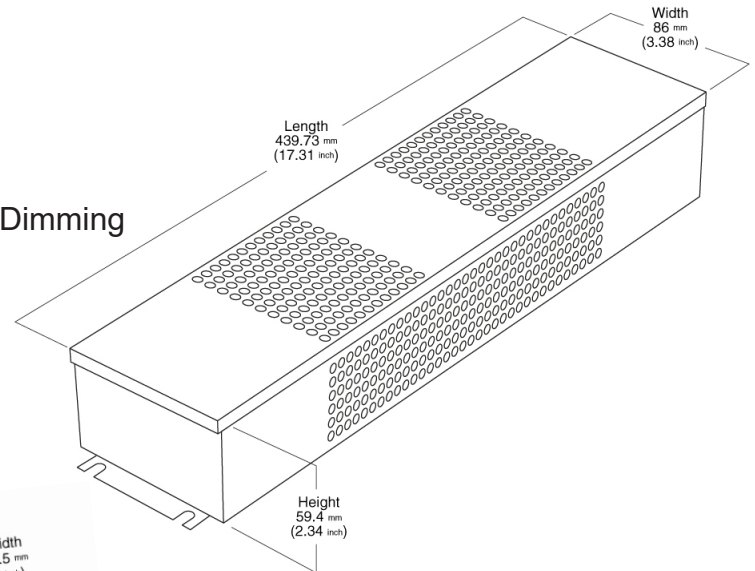
Output Voltage: 12 V DC

Output Power: 300 W (5*60 W)

Output Current: 5 A (5*5 A)

Dimmable: Yes (1-10V/0/ Triac dimming) 5 in 1 Dimming

Class Certification: Class 2/ Class P/ Type HL



Pl. Use Wire Rated at Least 90°C for Connection

VEROBOARD®

Triac/0/1-10V (5 in 1) Dimming Constant Voltage LED Driver

PN: VBD-012-300VTD52J2V2

INPUT: 100-277Vac 3.6A 50/60Hz λ: 0.95

OUTPUT: 12 VDC = 5A(5*5A) / 300W(5*60W)

Class 2 Class P Type HL

Conforms UL1310 and UL8750

Conforms CAN/CSA-C22.2 NO.250.13

Complies with FCC 47 CFR Part 15, Subpart B

This device complies with FCC Part 15

Operation is subject to the following two conditions:

(1) may not cause harmful interference.

(2) must accept any interference received including interference that may cause undesired operation.

SUITABLE FOR DRY, DAMP LOCATIONS

VEROBOARD CANADA, USA

Info@veroboard.com | www.veroboard.com



Made in China